

Fanless Box Computer

IVTK-BC-3601

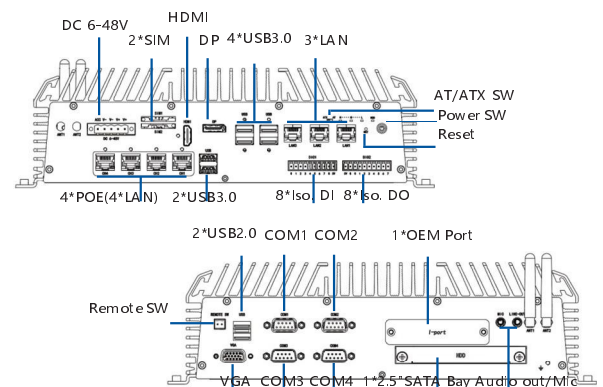
Intel® Skylake-S/Kabylake-S Core I3/I5/I7 CPU, 3*LAN, 4*POE, 6*USB3.0, 16bit Iso. DIO dual 4K display, iVpro technology, DC-IN 6~48V

Key Features

- Large aluminum chassis, fanless design
- Intel® Kabylake-S/Skylake-S Core I3/I5/I7 CPU 2*DDR4
- 2133/2400MHz SODIMM, Up to 32GB
- 1*DP (4K), 1*HDMI(4K) and 1*VGA
- 3*LAN, 4*POE Opt. 8*LAN, 6*USB3.0, 3*USB2.0
- 4*COM, 16 bit Iso. DIO, Audio out and Mic
- 2*Mini PCIe(PCIE+USB), 1*M.2 2242 B-Key
- 1*mSATA, 2*2.5" SATA, support Raid0/1
- Support Intel® iVpro and TPM2.0
- DC 6~48V Wide Power Input



IVTK-BC-3601 is a high performance Box Computer with aluminum chassis and fanless design. It is powered by the latest Intel® Skylake-S/Kabylake-S CPU and DDR4 2133MHz dual channel memory up to 32GB. It features gen. 9th Intel HD Graphics, DP1.2 and HDMI1.4b dual 4K display, 3*Intel LAN, 4*POE, 6*USB3.0, 1*Mini PCIe and 1*M.2 which support 4G and Wifi/BT. The 2*2.5" SATA HDD/SSD support Raid0/1. With DC 6-48V wide power input, high performance and multi IO, it is application for Intelligent Transportation (ITS), Video Security and Machine Vision.



SPEC.

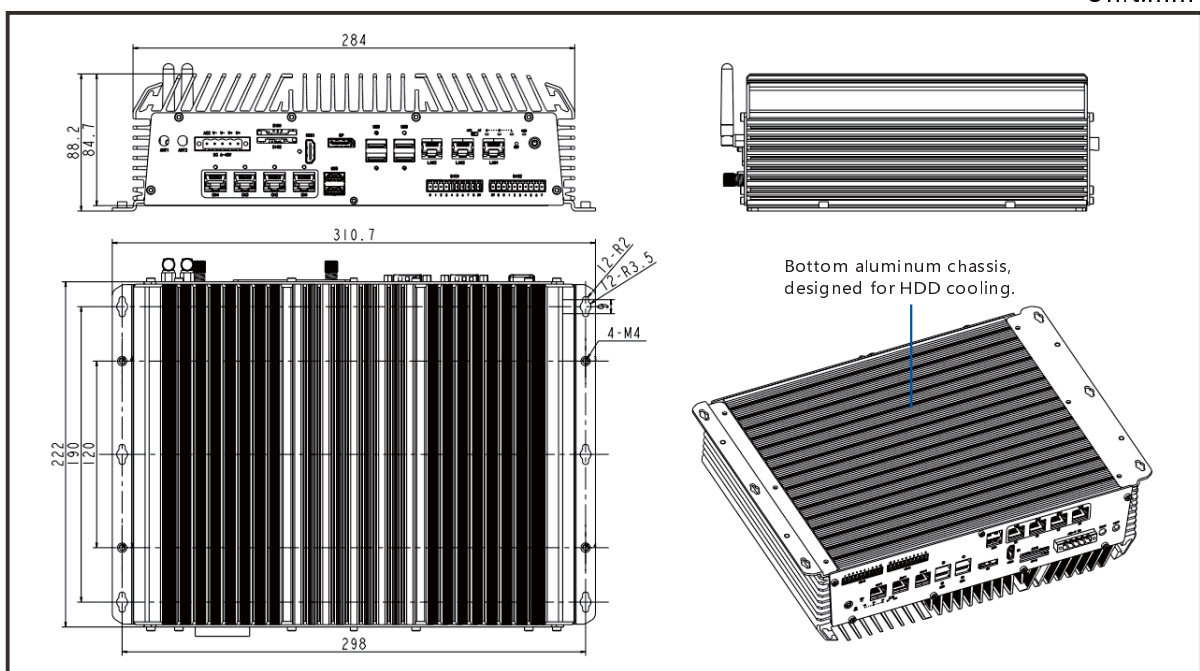
System	CPU	Gen. 6th Intel® Skylake-S/gen.7th Intel® Kabylake-S Celeron/Pentium/Core I3/I5/I7 CPU, LGA 1151 socket ,suffix T(TE), TDP 35W
	Chipset	Intel® Q170, Optional Intel® H100
	System Memory	2*260-Pin SODIMM, dual channel DDR4 2133/2400MHz, up to 32GB
	Expansion	1*Full size Mini PCIe(PCIE+USB)with SIM slot,1*M.2 2242 B-key(PCIEx1+SATA3+USB)with SIM slot, 1*Half size Mini PCIe(PCIE+USB),1*Full size mSATA(SATA3+USB), support 2*4G LTE and Wifi/BT
	Graphics	Gen. 9th Intel® HD Graphics, HEVC/H265 HW HD en/decoder, DP1.2 max. res. 4096*2304@60Hz, HDMI1.4b max. res. 3840*2160@30Hz, VGA max. res. 2560*1600@60Hz, 3 independent display
	Audio	Realtek ALC662VD controller, Audio out and MIC
	LAN	2*Intel I210AT PCIe Gig. Ethernet; 1*Intel I219LM PCIe Gig. Ethernet support iVpro
	Storage	4*Intel I210AT Ethernet with POE function, TDP 15.4W/port, Optional 8*Intel I210AT Ethernet
	DIO	2*2.5" SATA HDD/SSD bay, cooling by aluminum chassis; 1*mSATA; 1*M.2 2242 B-key
	I-port	16 bit 2.5KV Optical Iso. DIO, 8 bit input(High:5-24V,Low:0-1.5V) and 8bit output(100mA)
	I/O ports	Optional 1*LPT, 16bit DIO, 1*USB2.0 or Mini PCIe and M.2 I/O ports(such as serial ports)
	I/O ports	3*RJ45 Gig-LAN, 4*RJ45 Gig-POE optional to be 8*RJ45 Gig-LAN (Front) 6*USB3.0 Type A (Front); 2*USB2.0 Type A(Rear) ,1*USB2.0 Type A(Inside) 8bit DI:1*10-pin ter. and 8bit DO: 1*10-pin ter. (Front), Opt.24 bit DIO 2*14-pin ter. (Front) 2*RS232/422/485 DB9(Rear), 2*RS232 DB9(Rear) 1*Audio-out and 1*MIC, 3.5mm phone jack(Rear) 1*HDMI +1*DP+1*VGA(Front)
	LED	1*Power LED, 1*HDD LED, 3*CPU term. LED (Red is warning, Yellow is high, Green is normal)
	Control SW	1*Power button, 1*Reset button(Front); 1*2pin ter. power-on signal(Rear), 1*AT/ATX Select dip(Front)
Power Supply	DC 6~48V Input, 5-pinter. (Front), Consumption: TDP 19/2.0A (I5-7500TCPU, 4GB Ram, 128GSSD)	
Watchdog Timer	Watchdog timeout programmable via software 1 to 255 second	
OS Support	Windows 7, Windows 10, Linux Fedora Ubuntu	

* All specifications and photos are subject to change without notice.

Mechanical	Structure	Large U form aluminum chassis, SGCC frame
	Color	Silver
	Mounting	Desktop Mounting
	Dimension	(W*H*D) : 284*222*84.7mm
	Net weight	4.65kg
Environmental	Operating temperature	-20°C ~ 65°C – Fanless, 35W CPU with wide operating temp. SSD, airflow -10°C ~ 55°C – Fanless, 35W CPU with HDD, airflow
	Storage Temperature	-40°C~85°C
	Storage Humidity	10~90%@40°C, Non-condensing
	Vibration	5 grms/5~500Hz/ random/in working(SSD); 1 grms/5~500Hz/random/in working(HDD)
	Shock	50g peak acceleration(1ms duration)(SSD); 20g peak acceleration(1ms duration)(HDD)
	Certification/EMC	CE/FCC Class A

Dimension

Unit:mm



Ordering Info.

Model No.	Introduction
IVTK-BC-3601/S001	Fanless Box Computer, Intel® Q170+SKL/KAL-S LGA1151 CPU, 3*LAN, 4*POE, 6*USB3.0, 3*USB2.0, 4*COM, 16 bit Iso.DIO, 1*M.2, 2*Mini PCIe, 1*HDMI, 1*DP, 1*VGA, Audio, 1*I-port, 2*2.5" SATA bay, 1*mSATA, DC 6~48V
IVTK-BC-3601/S002	Fanless Box Computer, Intel® Q170+SKL/KAL-S LGA1151 CPU, 7*LAN, 6*USB3.0, 3*USB2.0, 4*COM, 16 bit DIO, 1*M.2, 2*Mini PCIe, 1*HDMI, 1*DP, 1*VGA, Audio, 1*I-port, 2*2.5" SATA bay, 1*mSATA, DC 6~48V
IVTK-BC-3601/S003	Fanless Box Computer, Intel® Q170+SKL/KAL-S LGA1151 CPU, 11*LAN, 4*USB3.0, 3*USB2.0, 4*COM, 24 bit Iso.DIO, 1*M.2, 2*Mini PCIe, 1*HDMI, 1*DP, 1*VGA, Audio, 1*I-port, 2*2.5" SATA bay, 1*mSATA, DC 6~48V
IVTK-BC-3601/T001	Fanless Box Computer, Intel® H110+SKL/KAL-S LGA1151 CPU, 2*LAN, 4*USB3.0, 3*USB2.0, 4*COM, 1*M.2, 1*Mini PCIe, 1*HDMI, 1*DP, Audio, 1*I-port, 2*2.5" SATA bay, 1*mSATA, DC 6~48V
IVTK-PA-120DC19	AC/DC power adapter, DC 19V/6.32A 120W