

## GPU In-vehical Computer

# KMDA-3602

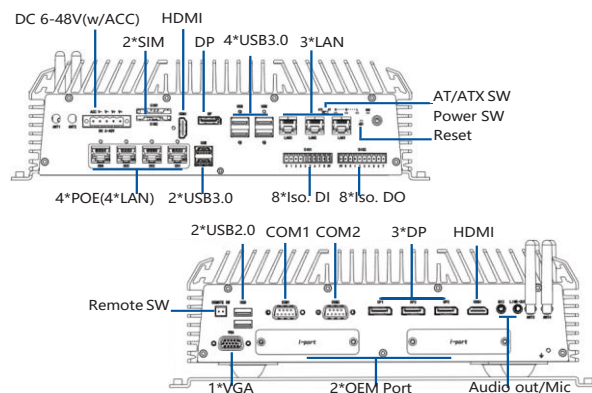
Intel® Skylake-S/Kabylake-S Core I3/I5/I7 CPU, 2\*LAN, 4\*POE, 6\*USB3.0, MXM3.1 GPU  
6\*4K display, 16 bit Isolated DIO, ITPS power supply

### Key Features

- Aluminum Chassis, CPU Fanless Cooling
- Intel® Kabylake-S/Skylake-S Core I3/I5/I7 CPU 2\*DDR4
- 2133/2400MHz SODIMM, Up to 32GB
- 1\*MXM 3.1 socket, support NVIDIA/AMD GPU
- CPU:1\*DP+1\*HDMI+1\*VGA, GPU:3\*DP+1\*HDMI 3\*Gig
- LAN,4\*POE,6\*USB3.0,3\*USB2.0
- 2\*COM,16bit Isolated DIO, Audio out and Mic
- 2\*Mini PCIe(PCIe+USB),1\*M.2 2242 B-Key
- 1\*mSATA, 1\*2.5" SATA bay, Anti-vibration design DC
- 6~48V Wide Power, ITPS Function



IVTK-BC-3602 is a high performance In-vehicle computer from JHCTECH, with newest cooling design. It is powered by Skylake-S/Kabylake-S CPU, and Dual DDR4 2133MHz SODIMM memory. It features NVIDIA or AMD MXM3.1 GPU module, 1\*DP and 1\*HDMI (Intel HD 4K), 3\*DP and 1\*HDMI (GPU 4K), 2\*LAN, 4\*POE, 6\*USB3.0, 2\*Mini PCIe and 1\*M.2 which support 4G, Wifi/BT and GPS communication, 1\*mSATA and 1\*2.5" SATA bay. DC 6-48V wide power input, ITPS delay power on/off function. With CPU+GPU dual processor, multi LAN, multi display, multi wireless communication and anti-vibration design, it is suitable for mobile law enforcement vehicle and special engineering vehicle.



### SPEC.

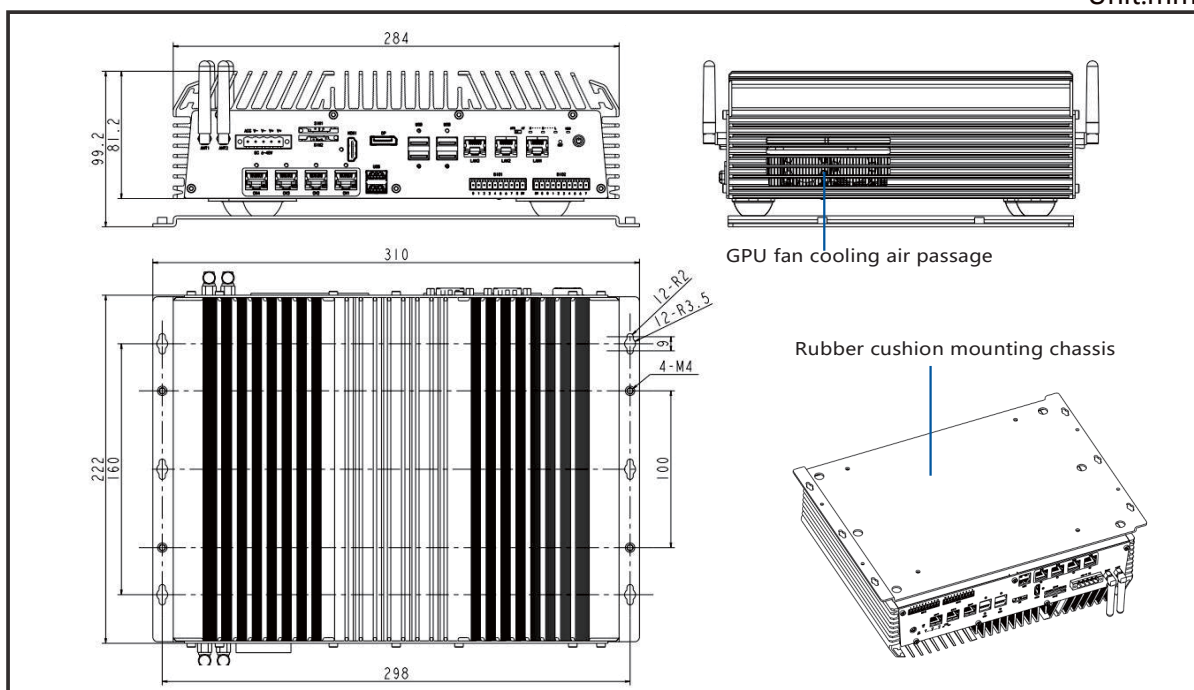
System	CPU	Gen. 6th Intel® Skylake-S/gen.7th Intel® Kabylake-S Celeron/Pentium/Core I3/I5/I7 CPU, LGA 1151 socket, suffix T(TE), and consumption TDP 35W
	Shipset	Intel® Q170, Optional Intel® H110
	System Memory	2*260-Pin SODIMM, dual channel DDR4 2133/2400MHz, up to 32GB
	Expansion	1*Full size Mini PCIe with PCIe+USB and SIM slot, 1*Half size Mini PCIe with PCIe+USB, 1*M.2242 B-key with PCIe+SATA3+USB, 1*Full size mSATA(SATA3+USB), support 4G LTE/Wifi and BDS/GPS
	Intel Graphics	Gen. 9th Intel® HD Graphics, HEVC/H265 HW HD en/decoder, DP1.2 max. res. 4096*2304@60Hz, HDMI1.4b max. res. 3840*2160@30Hz, VGA max. res. 2650*1600@60Hz, 3 independent display
	GPU	MXM3.1 NVIDIA GTX/AMDRX series GPU module, support 3*DP1.2/1.3 and 1*HDMI1.4b/2.0 4K/5K display
	Audio	Realtek ALC662VD controller, Audio out and MIC
	LAN	2*Intel I210AT PCIe Ethernet; 4*Intel I210AT POE, TDP 15.4W/port; 1*Intel I219LM support iVpro
	Storage	1*2.5" HDD/SSD bay, SATA 6.0Gbps; 1*mSATA; 1*M.2 2242 B-key
	DIO	16 bit 2.5KV Optical Isolation DIO, 8 bit input(High:5-24V, Low:0-1.5V) and 8 bit output(100mA)
	I-port	Optional 1*LPT, 16bit DIO or Mini PCIe and M.2 I/O ports(such as CAN bus ports)
	I/O ports	7*RJ45 Gig-LAN and POE(Front) 6*USB3.0 Type A (Front); 2*USB2.0 Type A(Rear), 1*USB2.0 Type A(Inside) 8bit DI:1*10-pin ter. connector and 8bit DO: 1*10-pin ter. connector(Front) 2*RS232/422/485 DB9(Rear) 1*Audio-out and 1*MIC, 3.5mm phone jack(Rear) 1*HDMI +1*DP+1*VGA(Front); 3*DP+1*HDMI(Rear)
	LED	1*Power LED, 1*HDD LED, 3*CPU term. LED (Red is warning, Yellow is high, Green is normal)
	Control SW	1*Power button, 1*Reset button(Front); 1*2pin ter. power-on signal(Rear), 1*AT/ATX Select dip(Front)
Power Supply	DC 6-48V ITPS w/ACC signal in 5-pin ter.(Front), Consumption:TDP 24V/4.83A(I5-7500T+GTX 1060M)	
Watchdog Timer	Watchdog timeout programmable via software 1 to 255 second	
OS Support	Windows 7, Windows 10, Linux Fedora Ubuntu	

\* All specifications and photos are subject to change without notice.

Mechanical	Structure	Aluminum chassis, SGCC frame and SGCC cover
	Color	Silver
	Mounting	Desktop Mounting, with Anti-Vibration plane
	Dimension	(W*H*D) : 284*222*81.2mm
	Net weight	5.60kg
Environmental	Operating temperature	-20°C ~ 65°C – Fanless, 35W CPU without GPU, and with wide operating temp. SSD, airflow -10°C ~ 50°C – Fanless, 35W CPU+80W GPU
	Storage Temperature	-40°C~85°C
	Storage Humidity	10~90%@40°C, Non-condensing
	Vibration	5.5 grms/5~500Hz/random/in working(SSD); 1.5 grms/5~500Hz/random/in working(HDD)
	Shock	55g peak acceleration(1ms duration)(SSD); 25g peak acceleration(1ms duration)(HDD)
	Certification/EMC	E-Mark, CE/FCC Class A

## Dimension

Unit:mm



## Ordering Info.

Model No.	Introduction
IVTK-BC-3602/S001	GPU In-Vehical Computer, Intel® Q170+SKL/KAL-S LGA1151 CPU, MXM3.1 GPU, 3*LAN, 4*POE, 6*USB3.0, 3*USB2.0, 2*COM, 16*Iso. DIO, 1*M.2, 2*Mini PCIe, 2*HDMI, 4*DP, 1*VGA, Audio, 2*I-port, 1*2.5" SATA bay, 1*mSATA, ITPS DC 6~48V
IVTK-BC-3602/T001	GPU In-Vehical Computer, Intel® Q170+SKL/KAL-S LGA1151 CPU, 7*LAN, 6*USB3.0, 3*USB2.0, 2*COM, 16*DIO, 1*M.2, 2*Mini PCIe, 1*HDMI, 1*DP, 1*VGA, Audio, 2*I-port, 1*2.5" SATA bay, 1*mSATA, ITPS DC 6~48V
IVTK-GRA-NVIDIA-GTX 1030	MXM3.1 Type A, NVIDIA GT 1030, GDDR5 2GB, 64bit, 384 cuda cores
IVTK-GRA-NVIDIA-GTX 1050TI	MXM3.1 Type A, NVIDIA GTX 1050TI, GDDR5 4GB, 128bit, 768 cuda cores
IVTK-GRA-NVIDIA-GTX 1070	MXM3.1 Type B, NVIDIA GTX 1060, GDDR5 6GB, 192bit, 1280 cuda cores
IVTK-PA-220DC24	AC/DC power adapter, DC 24V/9.17A 220W
IVTK-PA-120DC19	AC/DC power adapter, DC 19V/6.32A 120W